



PCORE
ELECTRIC

KV CLASS 15 kV **BIL** 110 kV **Uy** 10 kV

CURRENT RATING

2000 AMP BOTTOM CONNECTION

DWG. **CATALOG NUMBER** **GLAZE COLOR**

SD B-89123-65 BROWN

SD B-89123-65-70 LT. GRAY

DATE 1-28-09 **REV. DATE** 4-8-20

MAXIMUM ALTITUDE 10000 ft [3000 m]

NET WEIGHT 60 lb [27 kg]

ANGLE OF INCLINATION FROM THE VERTICAL 0° TO 70°

MIN. CREEP 21.00 [533.4] **MIN. STRIKE** 10.00 [254.0]

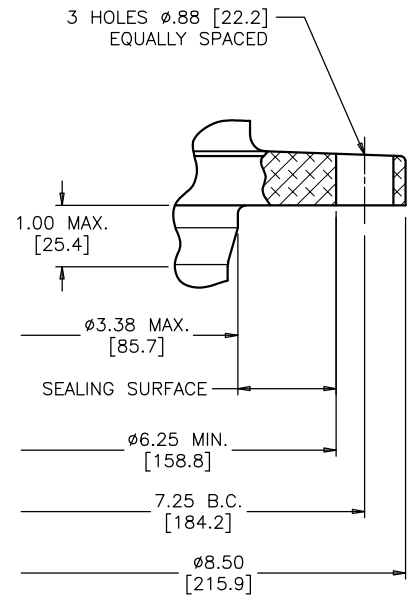
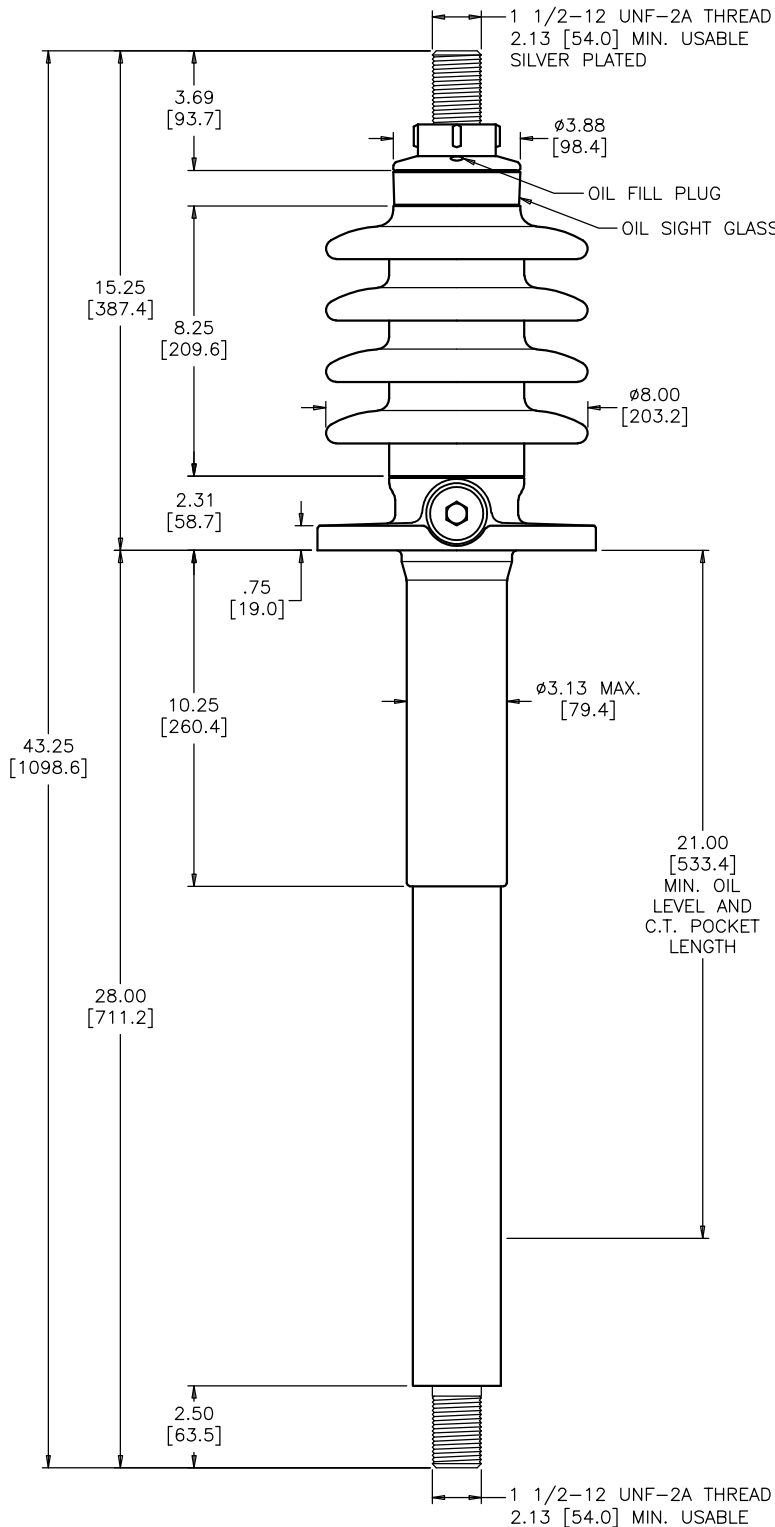
CREEP/L-G 2.42 [61.6] **STD.** IEEE C57.19.00/01

PCB CONTENT OF OIL IS LESS THAN 1 ppm

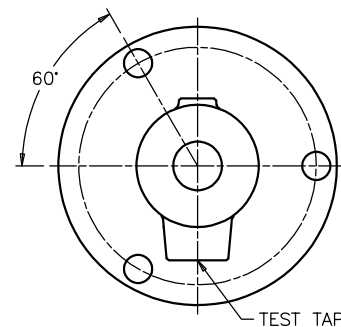
TITLE

PRC BUSHING

MODIFIED FLANGE WITH 3 HOLES



MOUNTING FLANGE DETAIL



FLANGE ALIGNMENT DIAGRAM TOP VIEW

DIMENSIONS IN INCHES [MILLIMETERS]

REVISION NET WEIGHT WAS 61 lbs, CORRECTED ROUNDING, CREEP/L-G WAS CREEP/Uy

SCALE 1/4

NOTE TO PURCHASER:
ALL SALES OF PCORE PRODUCTS ARE SUBJECT TO OUR STANDARD TERMS AND CONDITIONS AND THE LIMITED WARRANTIES THEREUNDER